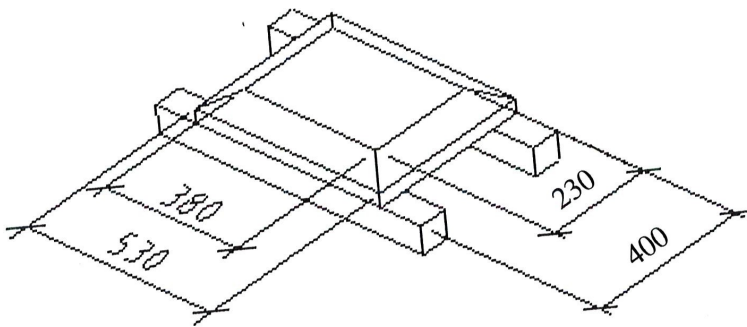


## MONUMENTAL WORK STYLES (Boonah, Kalbar)

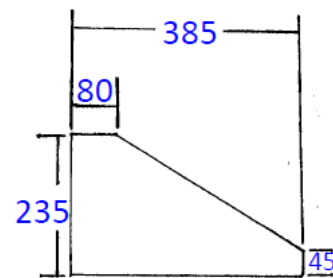
### Lawn and Semi-Lawn Section Plaques

- Lawn plaques are to be placed on a standard concrete base (530mm x 400mm, with or without vase hole).
- All lawn plaques are to be placed on two 100mm x 100mm concrete bearers with a length of 1100mm. The concrete bearers must cross the grave with the bearers being placed 200mm in solid ground.
- All lawn plaques (including base) are to be a minimum thickness of 100mm.
- Fixed ornaments and vases (no glass or ceramics) shall not exceed 300mm above the surface of the plaque.
- The upper surface of the lawn plaque is to be above or at ground level.
- Semi-Lawn Plaques are to be placed on standard concrete desk supplied by Council or identically sized stone desk.

#### A Lawn Plaque 380mm x 230mm

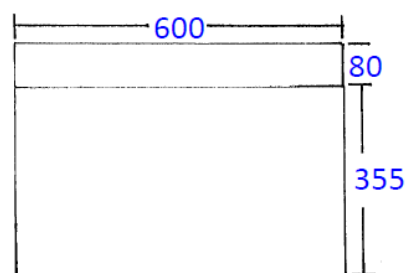


#### Semi-lawn Desk Dimensions (if replacing concrete desk with stone)



#### B Semi-lawn Plaque 380mm x 230mm

#### C Semi-lawn Plaque 560mm x 310mm



**Placement to include the following vase/s** (additional charges apply to the provision of these items):

- Stainless steel vase (aboveground with spike)
- Inground vase (applies to lawn plaque only)

### **Monumental Section Memorials**

- Monuments must be soundly constructed of robust stone or concrete with a solid edge not less than 100mm above ground level and up to the full size of (and wholly contained within) the plot (generally 2400mm x 1200mm).
- Monumental work must comply with AS 4204-2019.

**Full design and structural details are to be submitted with all Applications to allow for assessment**